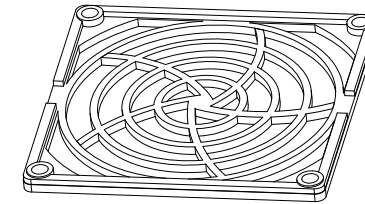
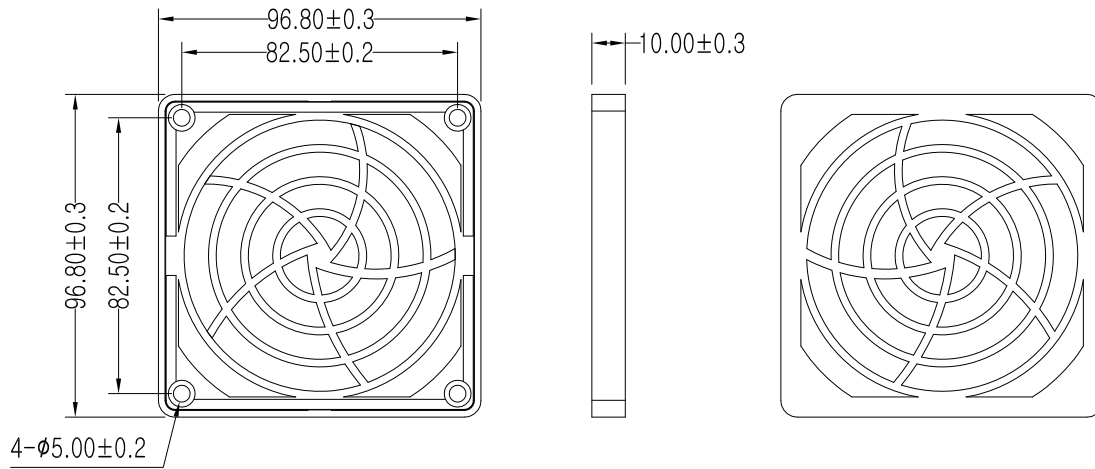
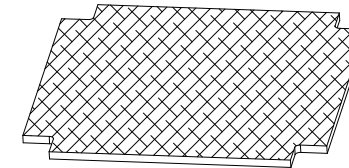


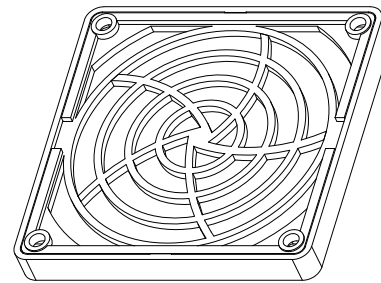
REVISED RECORD				
REV NO.	CONTENT	CHG BY	DATE	APPROVED BY
A0.		Gavin	2014/01/11	



Guard



Filter



Retainer

Fits for Fan Size:

90\*90\*25mm 90\*90\*32mm 90\*90\*38mm

Specifications:

- \*Retainer & Guard Material: Flame Retardant plastic ABS thermoplastic, rated UL94V-0.
- \*Retainer & Guard Color: Standard black.
- \*Filter material: Polyurethane (PU) Foam; Size: 90\*90\*3.0mm
- \*Filter Density: 40PPI, 60PPI (pores per inch).
- \*No Burr, Flash, Bruising, Scratches.
- \*Product not deformation.

*Product dimension Gen. Tol. : ±0.05*		Control Dimensions		x.xxx		For QC Check	
DWG REV		UNLESS OTHERWISE SPECIFIED TOLERANCES		COOLTRON INDUSTRIAL SUPPLY, INC.			
DATE		X.XXX/FL ± 0.127	UNITS				
2014/01/11		X.XX ± 0.254	MM				
A0	DRAWN	Gavin	DATE	2014/01/11	TITLE: PLASTIC FAN FILTER		
A1	CHECKED		DATE		Drawing Number: FPF-090A-40		
A2	APPROVED		DATE		Process:	SCALE 1:1	SHT OF
A3	THIRD ANGLE		PROJECT		A total of one page The first page		