

AC AXIAL FAN 92x92x25mm



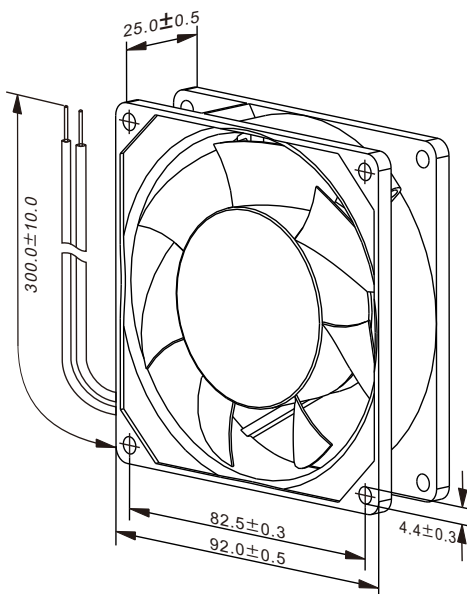
Housing: Die-Cast Aluminum, Painted Black
Blade: Thermoplastic PBT, UL 94V-0
Insulation Resistance: 100M Ω , 500VDC/min between bare wire and frame
Dielectric Strength: 1500VAC for one minute
Operation Temperature: -10°C-70°C(Humidity 35%-85%RH)
Storage Temperature: -40°C-85°C(Humidity 35%-85%RH)
Motor Protection: Impedance Protected
Weight: 240 g **Packing:** 60PCS/CTN



Model Number	Voltage (VAC)	Frequency (Hz)	AirFlow (CFM)	Stat.Pres. (mm-H ₂ O)	Noise (dBA)	Speed (RPM)	Current (mA)	Power (W)	Available Bearing	Curves
FA9225B11T7-61	115	50/60	22.3/30.5	1.2/1.9	21.7/25.6	1,400/1,900	130/130	13/11	B,S	①/②
FA9225B22T7-61	230	50/60	22.3/30.5	1.2/1.9	21.7/25.6	1,400/1,900	100/100	13/11	B,S	①/②

- For "Sleeve" bearing version, change the "B" in the model number to "S".
- For "Wire Lead" version, change the "T" in the model number to "W".

Specifications are subject to change without notice



unit: mm

