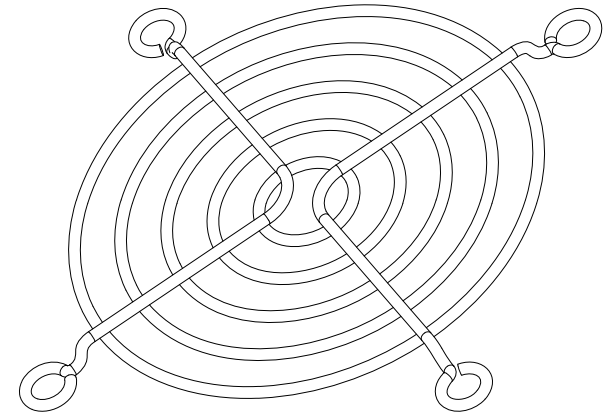
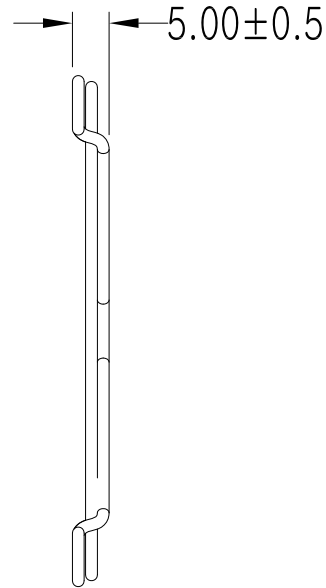
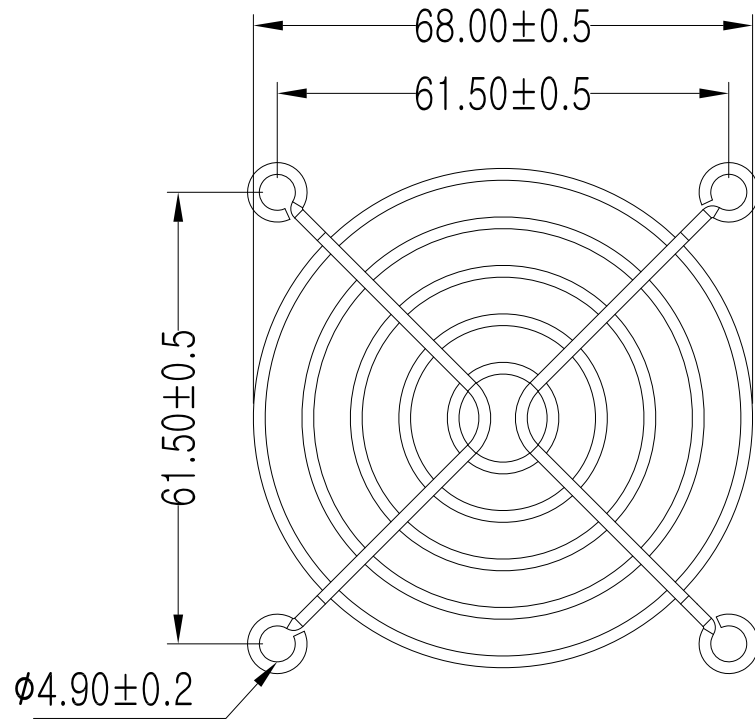


REVISED RECORD				
REV NO.	CONTENT	CHG BY	DATE	APPROVED BY
A0.		Gavin	2014/01/18	



Fits for Fan Size:

- 70*70*10mm 70*70*15mm 70*70*20mm
- 70*70*25mm 70*70*38mm

Specifications:

- *Materials: Bright basic wire.
- *Finish: bright nickel chrome plating.
- *(1) Rings are ϕ1.6±0.1
- *(2) Ribs are ϕ1.6±0.1
- *Weld joints to withstand 88 lbs pull force.
- *Part meets ϕ6.35mm plug gauge test.

Product dimension Gen. Tol. : ±0.05		Control Dimensions		x.xxx		For QC Check	
DWG REV	UNLESS OTHERWISE SPECIFIED TOLERANCES		COOLTRON INDUSTRIAL SUPPLY, INC.				
	DATE	X.XXXFL ± 0.127 X.XX ± 0.254 X.X* ± 0.5	UNITS	COOLTRON®			
	2014/01/18		MM				
A0	DRAWN	Gavin	DATE	2014/01/18	TITLE:	FGW-070A-1	
A1	CHECKED		DATE		Drawing Number:		
A2	APPROVED		DATE		Process:	SCALE	1:1
A3	THIRD ANGLE		PROJECT		SHT OF A total of one page The first page		