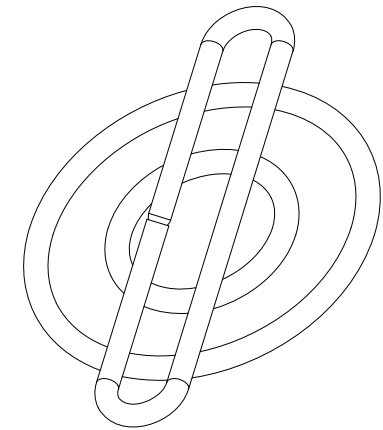
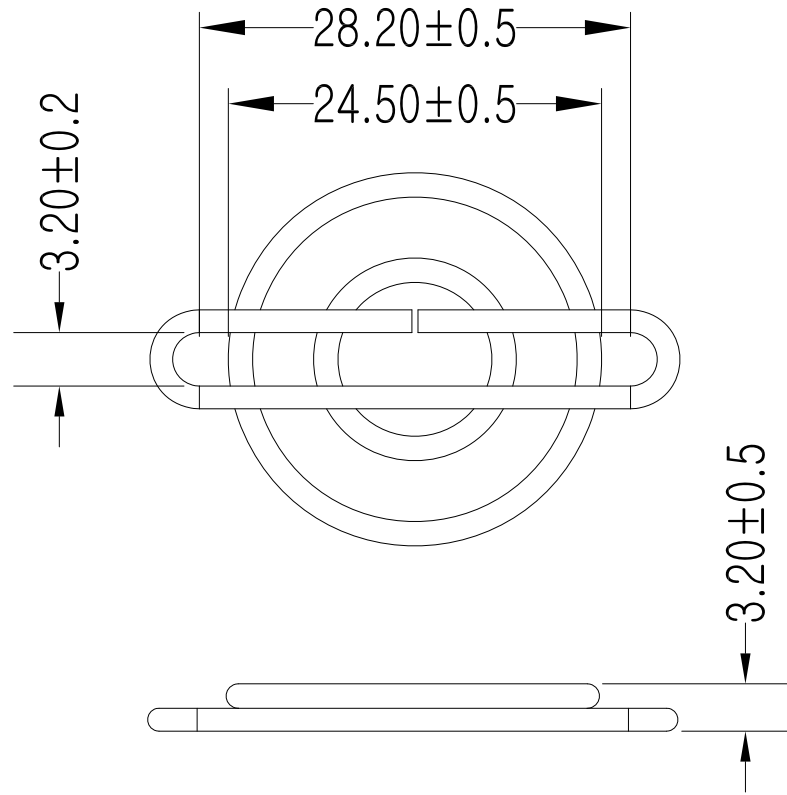


REVISED RECORD				
REV NO.	CONTENT	CHG BY	DATE	APPROVED BY
A0.		Gavin	2014/01/18	



Fits for Fan Size:

25\*25\*10mm 25\*25\*15mm

Specifications:

- \*Materials: Bright basic wire.
- \*Finish: nickel chrome plating.
- \* (1) Rings are  $\phi 1.6 \pm 0.1$
- \* (2) Ribs are  $\phi 1.6 \pm 0.1$
- \*Weld joints to withstand 88 lbs pull force.
- \*Part meets  $\phi 6.35$ mm plug gauge test.

*Product dimension Gen. Tol. : $\pm 0.05$ *		Control Dimensions		x.xxx		For QC Check	
DWG REV	UNLESS OTHERWISE SPECIFIED	TOLERANCES		<b>COOLTRON INDUSTRIAL SUPPLY, INC.</b> <b>COOLTRON®</b>			
	X.XXXFL	$\pm 0.127$	UNITS				
DATE	X.XX	$\pm 0.254$	MM				
	X.X*	$\pm 0.5$					
A0	DRAWN	Gavin	DATE	2014/01/18	TITLE:	FGW-025A-1	
A1	CHECKED		DATE		Drawing Number:		
A2	APPROVED		DATE		Process:	SCALE	1:1
A3	THIRD ANGLE		PROJECT		SHT OF		A total of one page The first page