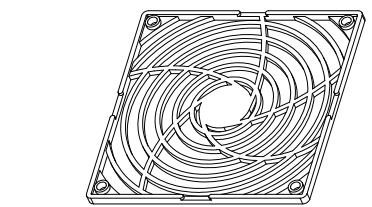
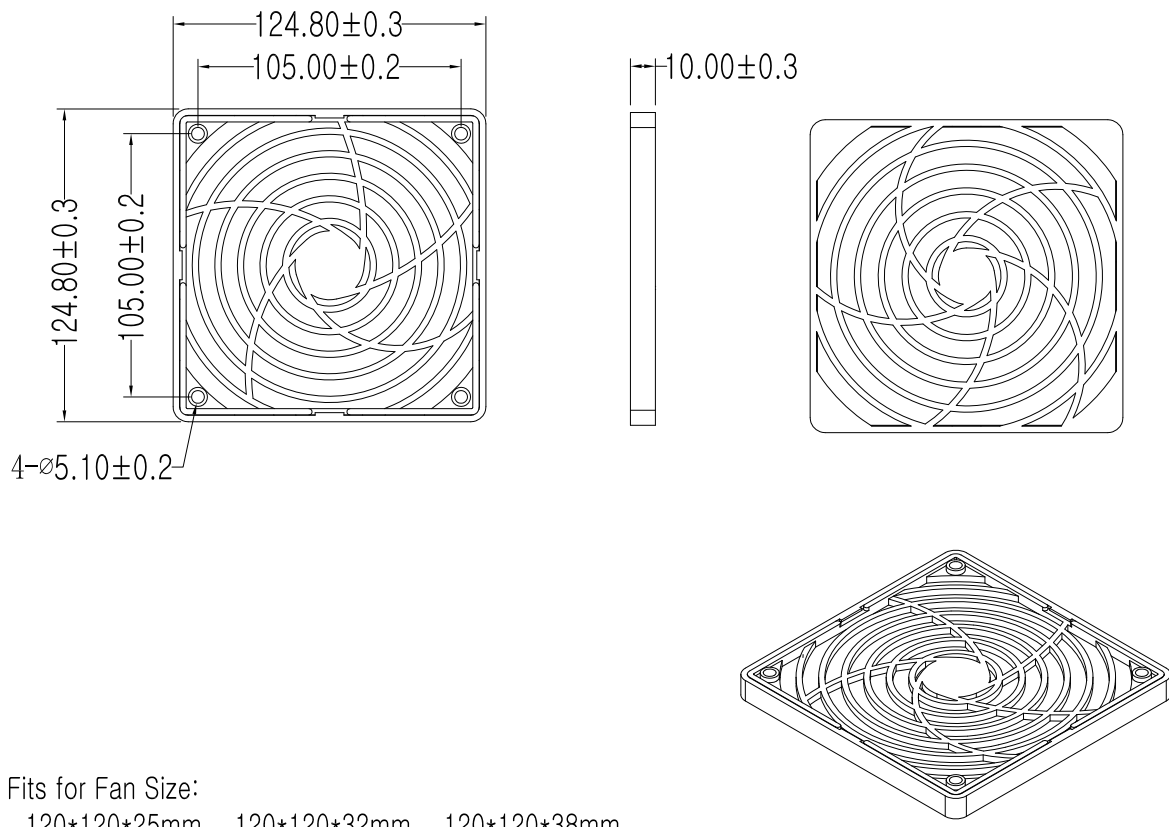
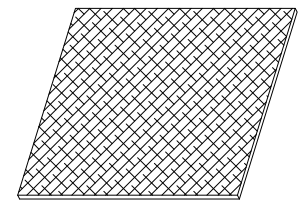


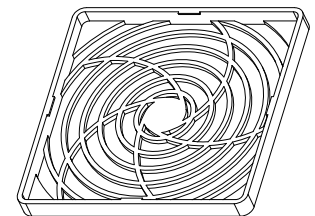
REVISED RECORD				
REV NO.	CONTENT	CHG BY	DATE	APPROVED BY
A0.		Gavin	2014/01/11	



Guard



Filter



Retainer

Fits for Fan Size:
 120*120*25mm 120*120*32mm 120*120*38mm

Specifications:

- *Retainer & Guard Material: Flame
 -Retardant plastic ABS thermoplastic, rated UL94V-0.
- *Retainer & Guard Color: Standard black.
- *Filter material: Polyurethane (PU) Foam; Size: 117*117*3.0mm
- *Filter Density: 40PPI, 60PPI (pores per inch).
- *No Burr, Flash, Bruising, Scratches.
- *Product not deformation.

Product dimension Gen. Tol. : $\pm 0.05^$		Control Dimensions		x.xxx		For QC Check	
DWG REV	UNLESS OTHERWISE SPECIFIED TOLERANCES			COOLTRON INDUSTRIAL SUPPLY, INC. COOLTRON[®]			
	DATE	X.XXXFL X.XX X.X*	± 0.127 ± 0.254 ± 0.5				
A0	DRAWN	Gavin	DATE	2014/01/11	TITLE:	PLASTIC FAN FILTER	
A1	CHECKED		DATE		Drawing Number:	FPF-120A-40	
A2	APPROVED		DATE		Process:	SCALE	1:1
A3	THIRD ANGLE		PROJECT		SHT OF A total of one page The first page		