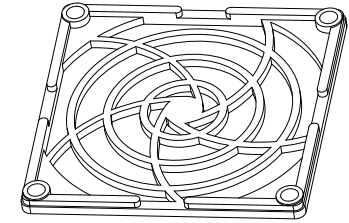
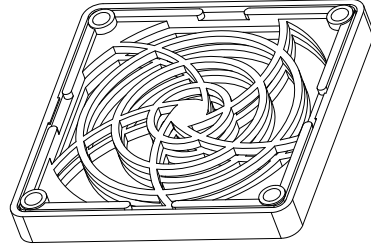
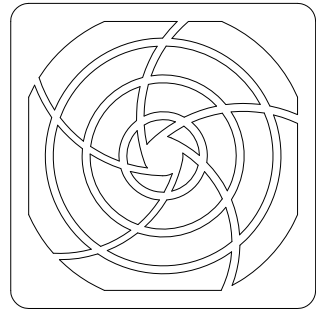
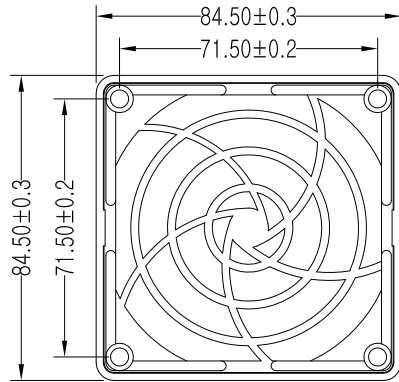
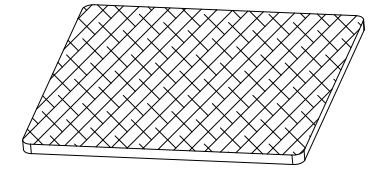


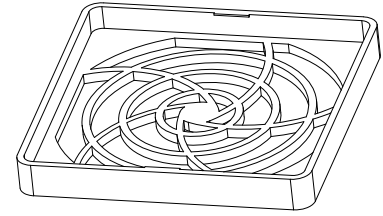
REVISED RECORD				
REV NO.	CONTENT	CHG BY	DATE	APPROVED BY
A0.		Gavin	2014/01/01	



Guard



Filter



Retainer

Fits for Fan Size:

- 80*80*10mm 80*80*15mm 80*80*20mm
- 80*80*25mm 80*80*32mm 80*80*38mm

Specifications:

- *Retainer & Guard Material:Flame Retardant plastic ABS thermoplastic, rated UL94V-0.
- *Retainer & Guard Color: Standard black.
- *Filter material:Polyurethane(PU)Foam; Size:80*80*3.0mm
- *Filter Density:40PPI,60PPI (pores per inch).
- *No Burr, Flash, Bruising, Scratches.
- *Product not deformation.

Product dimension Gen. Tol. : ±0.05		Control Dimensions		x.xxx		For QC Check	
UNLESS OTHERWISE SPECIFIED TOLERANCES		COOLTRON INDUSTRIAL SUPPLY, INC.					
X.XXX/FL ± 0.127		UNITS					
X.XX ± 0.254		MM					
X.X* ± 0.5							
DWG REV	DATE	DRAWN	Gavin	DATE	2014/01/11	TITLE: PLASTIC FAN FILTER	
A0		CHECKED		DATE		Drawing Number: PPF-080A-40	
A1		APPROVED		DATE		Process:	SCALE 1:1
A2		THIRD ANGLE		PROJECT		SHT OF A total of one page The first page	
A3							