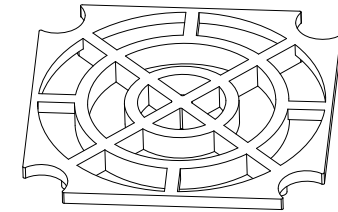
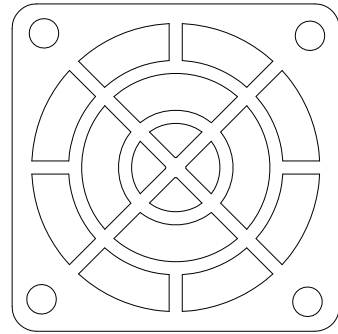
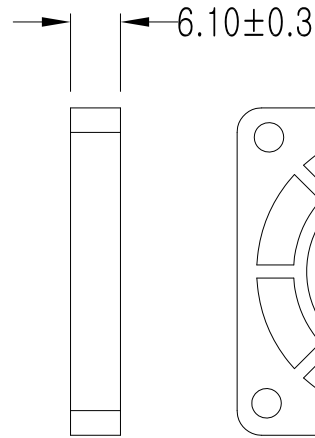
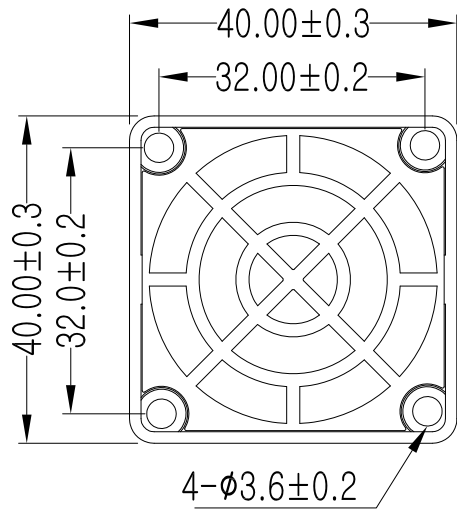
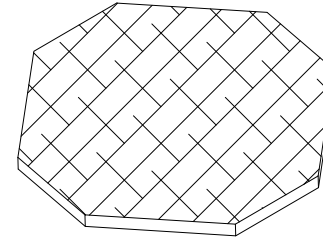


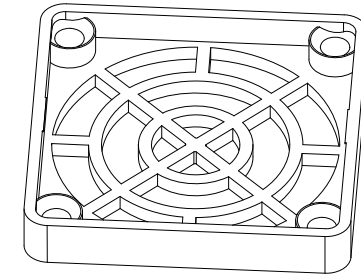
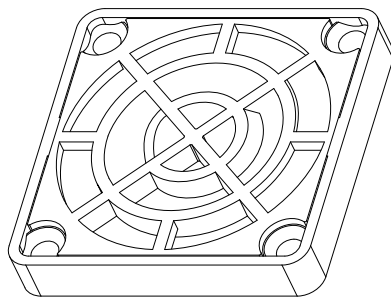
REVISED RECORD				
REV NO.	CONTENT	CHG BY	DATE	APPROVED BY
A0.		Gavin	2014/01/11	



Guard



Filter



Retainer

Fits for Fan Size:

- 40*40*07mm 40*40*10mm 40*40*15mm
- 40*40*20mm 40*40*28mm

Specifications:

- *Retainer & Guard Material:Flame Retardant plastic ABS thermoplastic,rated UL94V-0.
- *Retainer & Guard Color: Standard black.
- *Filter material:Polyurethane(PU)Foam; Size:36.8*36.8*2.0mm
- *Filter Density:40PPI,60PPI (pores per inch).
- *No Burr, Flash, Bruising, Scratches.
- *Product not deformation.

Product dimension Gen. Tol. : ±0.05		Control Dimensions		x.xxx		For QC Check	
UNLESS OTHERWISE SPECIFIED TOLERANCES		COOLTRON INDUSTRIAL SUPPLY, INC.					
X.XXX/FL ± 0.127		UNITS					
X.XX ± 0.254		MM					
X.X ± 0.5							
DWG REV	DATE	DRAWN		DATE	TITLE:		
	2014/01/11	Gavin		2014/01/11	PLASTIC FAN FILTER		
A0		CHECKED		DATE	Drawing Number:		
A1					FPF-040A-40		
A2		APPROVED		DATE	Process:	SCALE	SHT OF
A3		THIRD ANGLE				1:1	A total of one page The first page